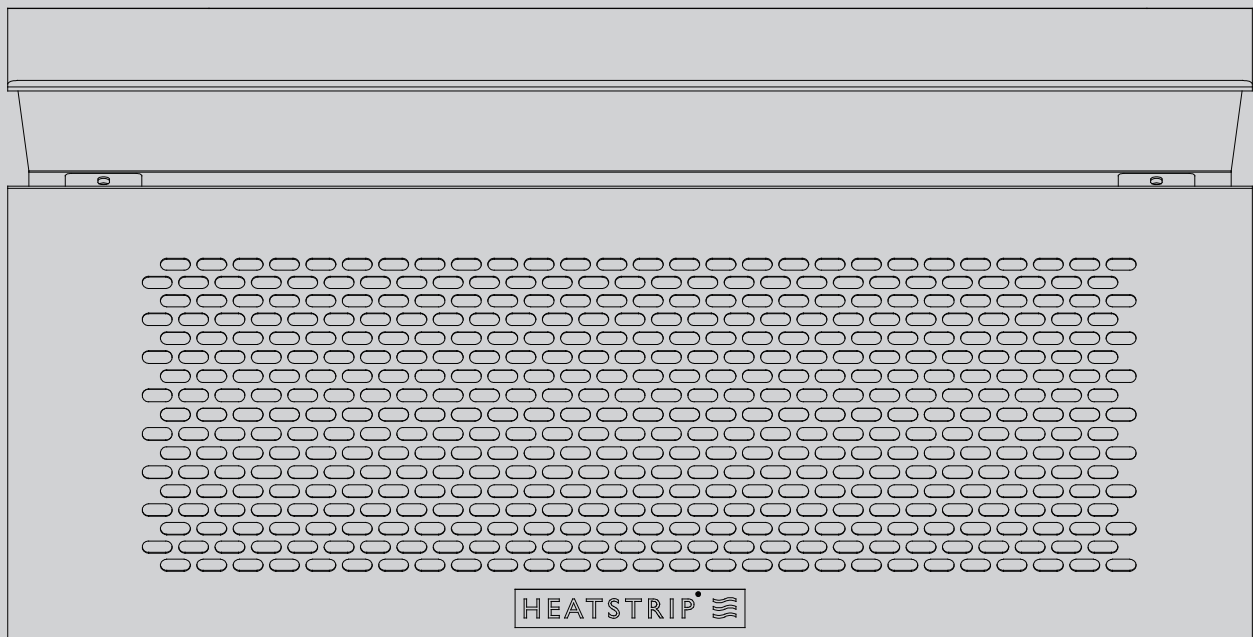


HEATSTRIP®



OWNER'S MANUAL



This appliance is intended for decorative purposes
Warning: For Outdoor use only! Not for domestic use!
Keep the instruction for future reference!

These instructions are only valid if the country symbol
appears on the instruction manual and on the appliance


Thermofilm Australia Pty Ltd
17 Johnston Court, Dandenong South, Victoria 3175,
Australia
Telephone: (03) 9562 3455,
Email: info@thermofilm.com.au
2020.V01

Index

Safety Warnings-----	1~2
Technical data-----	3
Assembly Instruction-----	4~6
Connecting gas -----	7
Operating Instructions-----	7
Leakage Testing-----	7
Maintenance and Cleaning-----	8
Troubleshooting-----	9
Expanded View-----	10
Warranty Term-----	11

WARNINGS INFORMATION

- Do not modify the appliance.
- Do not move the appliance during use.
- Turn off the gas supply at the gas container after use
- **For Wall Mounted Model** requires installation by a competent person and be in accordance with the relevant Codes of Practice.
- Accessible parts may be very hot. Keep young children away
- The appliance should not be used in basements or below ground level.
- The appliance must only be used for space heating.
- **THIS APPLIANCE HAS A NAKED FLAME: A SUITABLE GUARD SHOULD BE USED FOR THE PROTECTION OF YOUNG CHILDREN, THE ELDERLY AND THE INFIRM.**
- Failure to heed the Dangers, Warnings and cautions contained in this Owner's Manual may result in a serious explosion causing damage to property, bodily injury.

	CARBON MONOXIDE HAZARD This appliance can produce carbon monoxide which has no odor. Using it in an enclosed space can kill you. Never use this appliance in an enclosed space such as a camper, tent, car or home.
--	---

ATTENTION INFORMATION

This appliance is fitted with flexible gas rubber pipe and clamps that must be used; never use different kind and always according to the National Rules in force of the country of destination.

These components should be periodically replaced, according to the date reported on the body of each of them, or according to the National Rules in force of the country of destination.

Gas regulator and LPG cylinder are not included and have to be bought according to LPG compartment shape and cylinder support.

GENERAL WARNINGS

FOR OUTDOOR USE ONLY--DO NOT OR STAND ON TABLE Warning -For your safety

- If the information in this manual is not followed exactly, a fire or explosion may result causing property damage, personal injury or loss of life.
- **IMPORTANT NOTICE:** read and understand all warnings and precautions prior to assembly and use for you gas heater.
- **DANGER:** Failure to follow the dangers, warning and cautions in this manual may cause a fire or explosion causing damage to property, serious bodily injury or death.

- Minimum Clearance From Unit To Combustible Material:

TOP 500mm

SIDE 1000mm

FRONT 1000mm

REAR 300mm

- Do not locate this appliance under over-head unprotected combustible surfaces.
IF YOU SMELL GAS:
 1. Shut off gas supply to the heater.
 2. Extinguish any open flame.
 3. Do not try lighting any appliance.
 4. Do not touch any electrical switch nor use any phone in your building.
 5. Immediately call your gas supplier from a neighbor's phone.
 6. Follow the gas supplier's instructions.
 7. If you cannot reach your gas supplier, call the fire department.

- Never Improper installation, adjustment, alteration, service or maintenance can cause injury or property damage. Read the installation, operation and maintenance instructions thoroughly before installing or servicing this equipment.
- Keep these instructions for future reference. If you are assembling this unit for some-one else, give this manual to him or her to read and keep for future reference.
- This gas heater should ONLY be used outdoors in a well-ventilated space and should NOT be used inside a building, garage, or any other enclosed area.
- Do NOT use this outdoor gas heater for indoor heating. TOXIC carbon monoxide fumes can accumulate and cause asphyxiation.
- Never LEAVE this gas heater unattended when in use.
- Children and adults should be alerted to the hazards of high surface temperatures and kept at a safe distance while heater is in use.

- Gloves are strictly recommended to be used while moving this appliance, to protect your hands.
- Any sealed parts by Manufacture or his agent cannot be altered by the user.
- Do not store or use gasoline or other flammable vapors and liquids within 25 feet (7.62m) of this or any other appliance.
- The use of alcohol, prescription or non-prescription drugs may impair an individual's ability to properly assemble or safely operate this heater.
- Do not use in an explosive atmosphere. Keep gas heater area clear and free from combustible materials, gasoline and other flammable vapors and liquids.
- This outdoor heater is NOT to be operated by children. Young children should be closely supervised when in the vicinity of this outdoor heater.
- This outdoor heater is not to be installed or used in or on recreation vehicles and/or boats.
- Always use in accordance with all applicable local, state and national codes. Contact your local fire department for details on outdoor fires.
- Use the same precautions you would with any open fire with this outdoor heater.
- Do NOT alter this outdoor heater in any manner.
- Do NOT use this outdoor heater until it is COMPLETELY assembled and all parts are securely fastened and tightened.
- Do NOT store another LP gas tank within 10 feet (3.05 m) of this outdoor heater while it is in operation.
- Do NOT use this outdoor heater near automobiles, trucks, vans or recreational vehicles.
- Do NOT use this outdoor heater under any overhead or near any unprotected combustible materials. Avoid using near or under overhanging trees and shrubs.


GENERAL WARNINGS - CONT

- Do NOT use this outdoor heater if any part has been under water. Immediately call a qualified service technician to inspect the heater and to replace any part or control system and any gas control which has been under water.
- Do NOT wear flammable or loose clothing when operating this outdoor heater.
- Do NOT use in windy conditions.
- Keep all electrical cords away.
- Certain areas of this outdoor heater will become too hot to touch during and after use. Do not touch hot surfaces until the unit has cooled unless you are wearing protective gear such as insulated pot holders or heat resistant gloves or mittens to avoid burns.
- Children and adults should be alerted to the hazards of high surface temperatures and should stay away to avoid burns or clothing ignition.
- Do NOT hang or place clothing or other flammable materials on or near the gas fire-place.
- Any guard or other protective device removed for servicing the heater must be re-placed prior to operation.
- Do NOT attempt to move or store this outdoor heater until all parts are cool.
- Do NOT lean over this outdoor heater when lighting or when in use.
- Use only the regulator and hose assembly provided. Use only replacement regulator and hose assemblies specified by the manufacturer.
- Do not attempt to disconnect the gas regulator from the tank or any gas fitting while the outdoor heater is in use.
- Always shut off gas supply at the tank valve when the heater is not in use.
- It is essential to keep the outdoor heater valve compartment, burners, and circulating air passages clean. Inspect outdoor heater for debris before each use.
- Prior to each gas fireplace operation, check the hose for evidence of excessive abrasion or wear. If the hose is damaged, cut or cracked, it must be replaced before using the gas fireplace. The hose assembly can only be replaced by a hose assembly specified by the manufacturer.
- The burner assembly can only be replaced by a burner specified by the manufacturer. Place the hose out of the pathways where people may trip over it.
- Do Not cross the hose between outdoor heater and the propane tank.
- **WARNING:** When the national conditions require it, it's necessary to change the flexible tube.

GAS WARNINGS

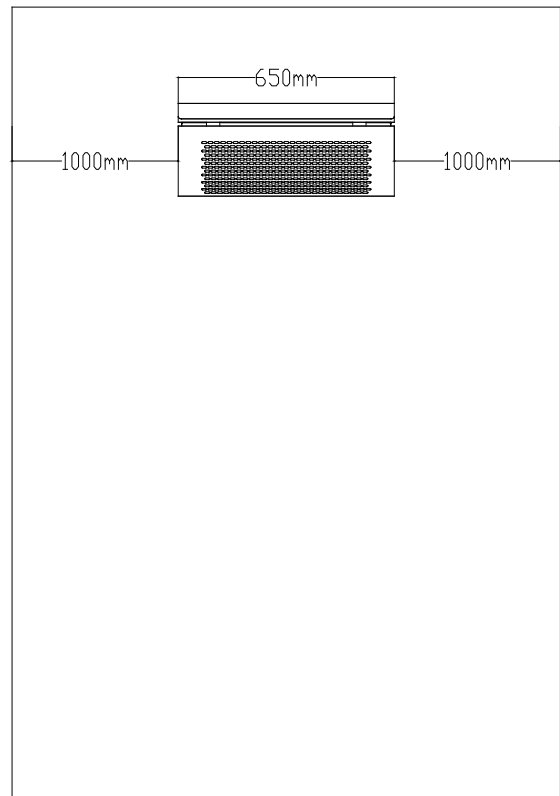
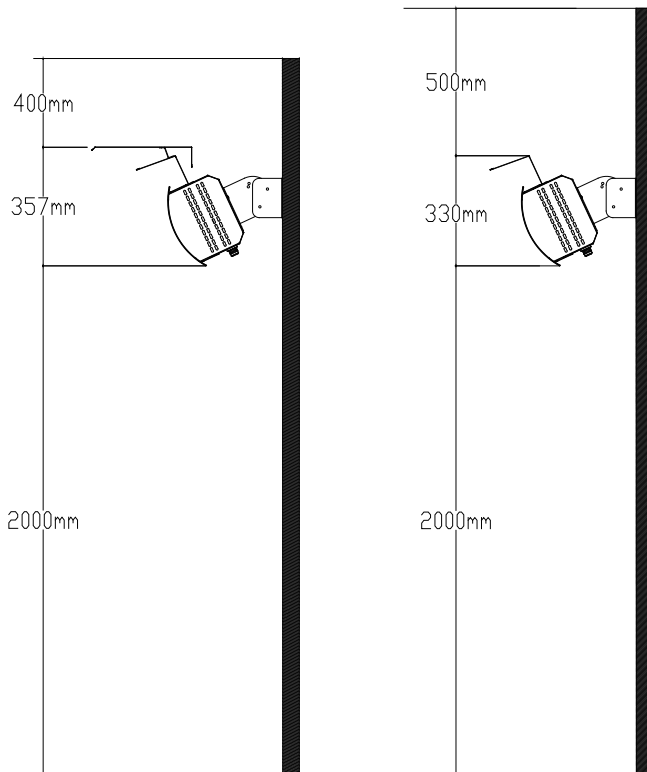
- Contact your retailer's customer service department for replacement parts.
- Hand turn the manual gas control valve. Never use tools. If the valve will not turn by hand, do not try to repair it. Call a certified gas technician. The use of force or any self-attempted repair may result in a fire or explosion.
- Use only the type of gas and the type of LPG cylinder specified by the manufacturer.
- Appliance is fitted with gas regulator, flexible gas rubber pipe and clamps according to the National Rules in force of the country of destination.
- Appliance must use an approved gas regulator (approved for a working temperature not lower than 50 °C) according to the EN Standard (see minimum, nominal and maximum pressure - gas regulator inlet and outlet connection according to the National Rules in force) and flexible gas hose according to EN Standard (with proper inner diameter according to gas inlet connection and National Rules in force) with a length not over 1.5 m and approved for a working temperature not lower than 60 °C.
- When substitution will be necessary, you have to purchase suitable gas regulator, flexible gas rubber pipe and clamps from your local gas dealer; gas regulator should be substituted not over 10 years old.
- Flexible gas rubber pipe must be carefully, avoiding any twisting. Never use a damaged gas regulator.
- Always perform a leakage test on gas connections whenever a LPG cylinder is connected. If bubbles form in the leakage test solution, do not use it. Never use a flame to test for leakages. It is strictly forbidden and dangerous!

Technical data for TGH34WL-2

Product Name	Radiant Gas Heater		
Model Type	Wall Mounted	Manufactured by	
Model	TGH34WL-2	Thermofilm Australia Pty Ltd	
Input	9.4KW (G30:684g/h, G31:672g/h)		
Gas Category	<input type="checkbox"/> I3+(28-30/37)	<input type="checkbox"/> I3B/P(30)	<input type="checkbox"/> I3B/P (50)
Gas and Pressure	G30 Butane at 28-30 mbar G31 Propane at 37 mbar	G30 Butane and G31 Propane at 30 mbar	G30 Butane and G31 Propane at 50 mbar
Country Code	BE,CH,CY,CZ,ES FR,GB,GR,IE,IT,LT LU,LV,PT,SK,SI	BE,CY,DK,EE,FR,GB HU,IT,LT,NL,NO,SE SI,SK,RO,HR,TR,BG IS,LU,MT,FI	AT,CH,DE,SK
Jet Size	<input type="checkbox"/> 0.73 mm	<input type="checkbox"/> 0.66mm	
<p>WARNING: Read the instructions before use.</p> <ul style="list-style-type: none"> -This appliance must be installed in accordance with such regulations as are in force. -This appliance requires installation by a competent person. -This appliance is for outdoor use only. <p>NOT TO BE USED FOR THE HEATING OF DOMESTIC PREMISES</p> <ul style="list-style-type: none"> -The appliance shall be used for space heating only. -After use turn off the appliance at the cylinder valve. -The appliance shall not be used in basements or below ground level -The appliance shall only be used for heating buildings used for animal rearing or for outdoor use. - This appliance requires a hose and regulator which are defined in the instruction. - Clearance from combustible materials,Top 500mm (add TGHSHIELD for 400mm) , Front 1000 mm, Side 1000mm, Rear 300mm. Minimum Mounting Height: 2000mm <p style="text-align: right;"><small>P80681005A</small></p>			
Serial No.			

Dimension and Clearance Detail

Before installing the wall mounted heater, make sure the wall must be capable to supporting the weight of the heater. Place the mounting bracket in position. The heater shall be firmly and securely attached to the wall.



WARNING : MINIMUM CLEARANCES TO COMBUSTIBLE MATERIAL:

FROM TOP 500mm / add TGHSHIELD(not included) for 400mm, SIDE 1000mm, MINIMUM MOUNTING HEIGHT 2000mm.

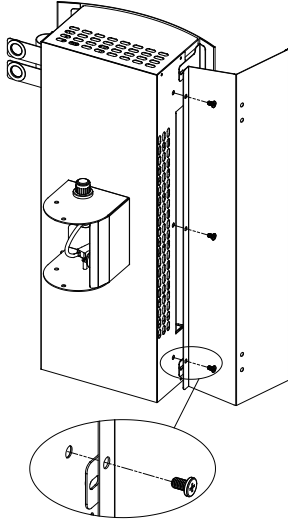
Note: Additional heat shield (TGHSHIELD) is required for 400mm overhead clearance and it's available at extra cost

Assembly

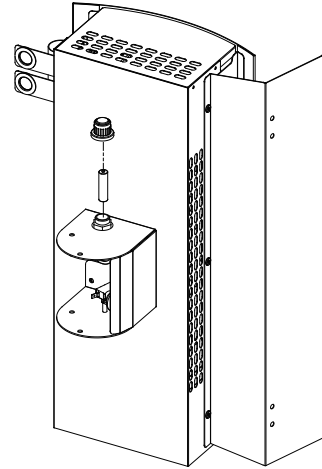
1. Install Heat Deflector



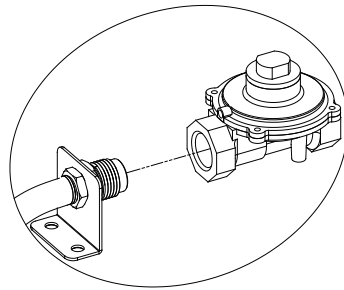
Pan Head Screw M6x10mm
Qty. 3
Part # S112M06102



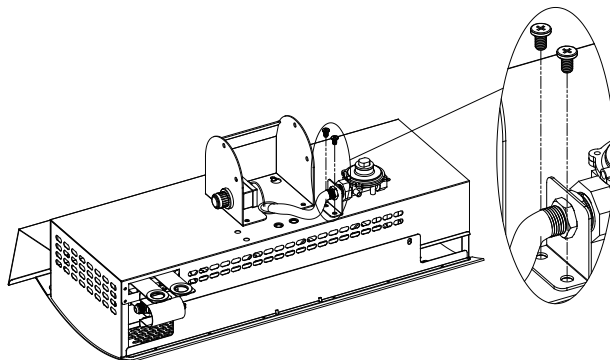
2. Install Battery



3. Install NG Regulator



(1) Install NG Regulator (Not Provided) to 1/2" thread connector.

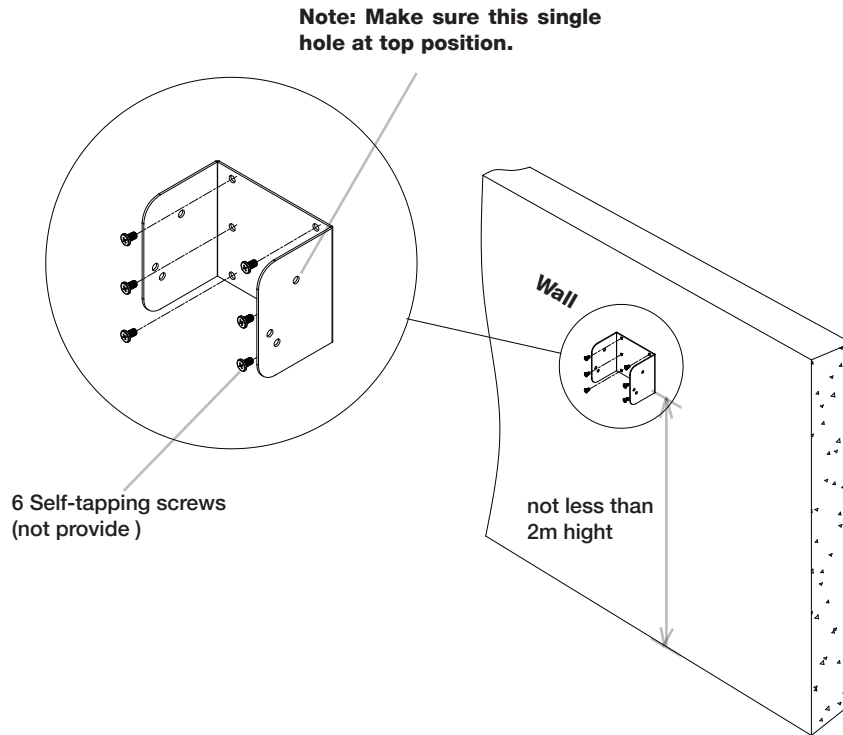


(2) Install NG Regulator and Bracket Assembly to heater by using 2 pre-assembly screws at the back of heater.

Note: the NG regulator can be assembled at the left of the heater according to your gas line.

Assembly

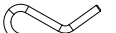
4. Install wall mounting bracket



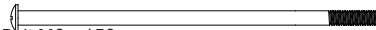
5. Install heater to the wall mounting bracket



Pin 6 x 150mm
Qty. 1
Part # P05501166D



R Cotter Pin
Qty. 1
Part # P05501164B



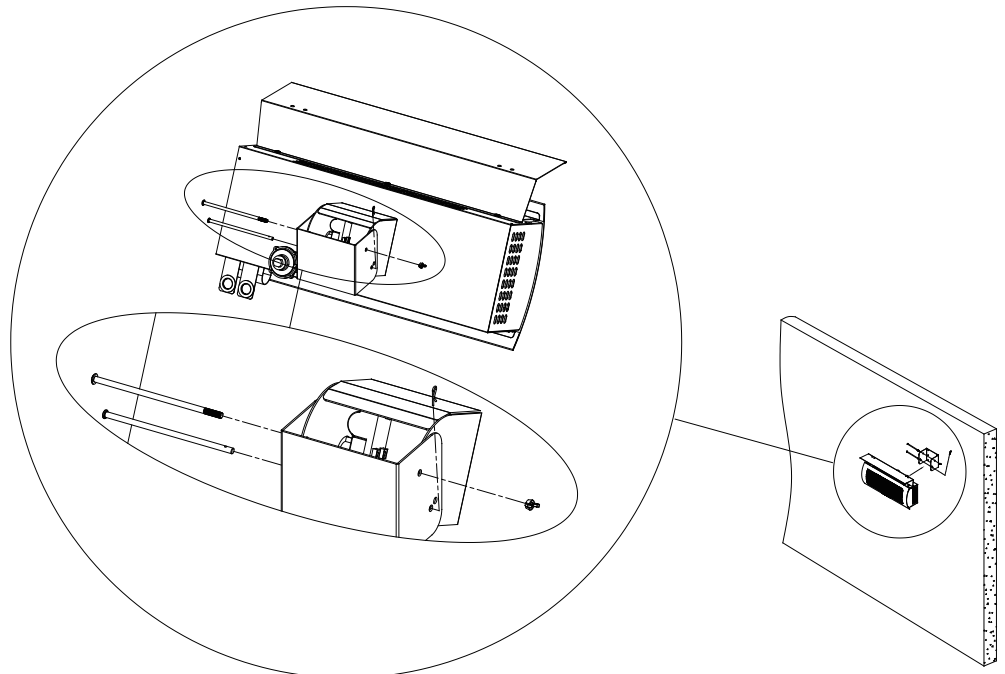
Bolt M6 x 150mm
Qty. 1
Part # S020100223



Plan Washer M6
Qty. 1
Part # S411M0601A



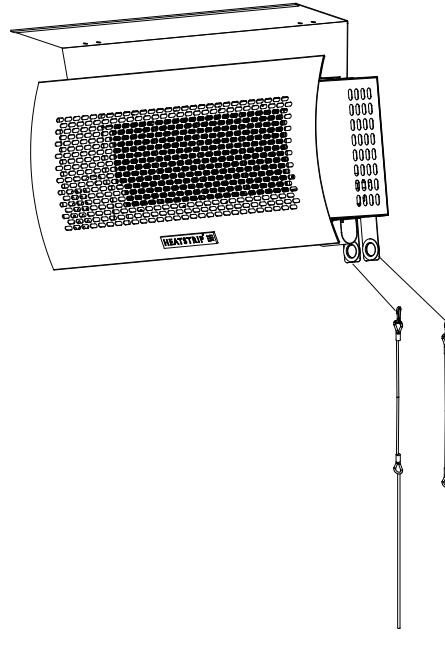
Wing Nut M6
Qty. 1
Part # S411M0606A



Assembly

6. Attach strings to heater controller

Note: Red string for open; Black string for close



Connecting gas circuit to LPG cylinder/ NG source

- Keep at hand suitable crossed screwdriver, adjustable spanners, pliers and wrenches. Before assembly, make sure all protection packing material has been removed. Flexible gas hose(1763-1) and clamps (if necessary) are supplied with this appliance and must be used, according to National Rules in force. You need to purchase one gas regulator and one gas cylinder. The gas regulator has to be set according to specific gas category (see on page 2) and proper gas consumption (g/h) specification. The LPG cylinder/NG source should be standard one. Replacement must be that specified in "Gas Requirements" section of this Instruction Manual. Be careful: do not kink flexible gas rubber pipe of gas circuit. If pipe holder should not be provided, thread of the gas inlet connection will be in line with Standards ISO 7-1 or ISO 228-1, according to National Rules in force of the country of destination.
- Make sure appliance is turned "OFF" before assembling
- Connect the hose to the appliance and the regulator.

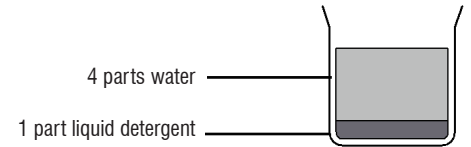
Heater Lighting Instructions

- **Protect appliance from wind during lighting and operation.****Propane Characteristics:**
- **TURN ON THE HEATER**
 1. **Turn on the gas source.**
 2. **Pull the red string down and 'click' will be heard and continue to hold for 10 seconds. The tiles should turn to red color. Release the string.**
 3. **If the burner does not ignite, turn off the gas source. Wait at least 5minutes for gas to clear, then retry. If your heater still fails to light, turn gas source OFF. Refer to the instruction manual "Lighting Your Heater Using A Match" and "Trouble Shooting" for further information.**
- **TURN OFF THE HEATER**
 1. **Pull the black string down until 'click' will be heard and then release. The tiles should turn from red to black.**
 2. **If the heater does not turn off, repeat step one.**
 3. **Turn off the gas supply.**
 4. **When the heater is not in use, please turn off the gas source.**

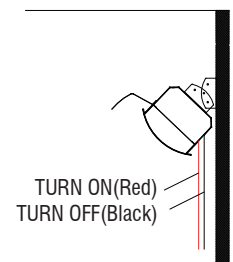
Check for Gas Leaks

Never test for leaks with an open flame. Prior to first use, at the beginning of each season, or every time your LP Gas Cylinder is changed, you must check for gas leaks. Follow these three steps:

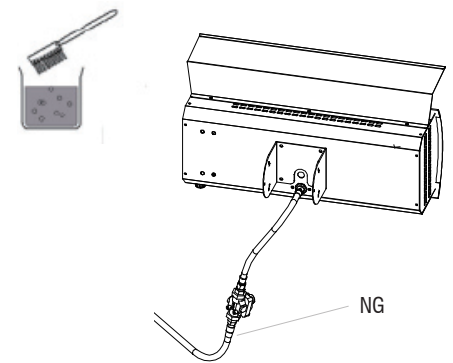
1. Make a soap solution by mixing one part liquid detergent and four parts water.



2. Pull the black string down until 'click' will be heard and then release, then turn on gas at source.



3. Apply the soap solution to all visible gas connections. If bubbles appear in the soap solution the connections are not properly sealed. Check each fitting and tighten or repair as necessary.
4. If necessary, substitute gasket (according to EN 549 Class B2) or material used to guarantee tightness (according to EN 751-1 Class I).



MAINTENANCE AND CLEANING

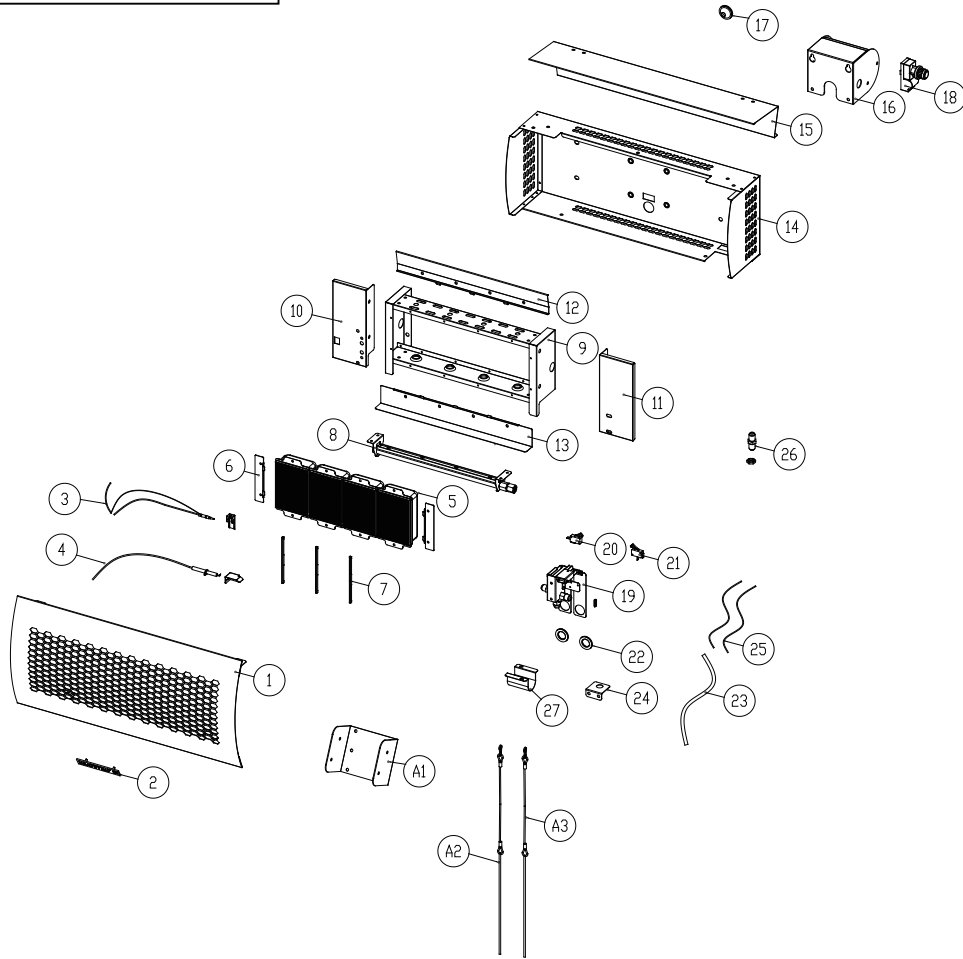
- To enjoy years of outstanding performance from your appliance, regular services of the appliance is mandatory as followings:
- The appliance should be inspected before at least one time a year by a Qualified Service only. More frequent cleaning may be required according to the use of the appliance.
- Any guard or other protective device removed for servicing the appliance must be replaced before operating it.
- Keep exterior surfaces clean, free and clear from combustible materials.
- Use warm soapy water for cleaning. Never use flammable or corrosive cleaning agents.
- While washing your unit makes sure to keep the area around the burner assembly dry at all times. If the gas control is exposed to water in any way, DO NOT tries to use it. It must be replaced.
- Burner and LPG compartment circulating air passageways of the appliance must be kept clean.
- Airflow must be unobstructed. Keep controls, burner and circulation air passageways clean. Signs of possible blockage include:
- Gas odor with extreme yellow tipping of flame / Appliance glow is excessively uneven / Appliance makes popping noises.
- Spiders and insects can nest in burner or orifices. This dangerous condition can damage the appliance and render it unsafe for use. Clean burner holes by using a heavy duty pipe cleaner. Compressed air may help clear away smaller particles.
- Carbon deposits may create a fire hazard. If any carbon deposits develop, clean dome and engine with warm soapy water.
- For proper cleaning, a vacuum cleaner can be used.
Note: In a salt-air environment (such as near the sea), corrosion occurs more quickly than normal. Frequently check the corroded areas and repair them promptly. Stubborn stains, discoloration and possibly rust pitting can occur from exposure to harsh outdoor conditions. Be careful not let any powder or solvent come in contact with painted or plastic components as damage may occur. After long use, some discoloration can come up and it screen is normal.
- Make sure both gas supplies is in OFF position before changing battery.
- Please contact the Manufacturer or dealer for information regarding replacement hoses, thermocouples, igniters, lava rocks, etc.
Attention: Never use unauthorized parts or component for this appliance. Use only original equipment replacement spare parts and components. Otherwise may void the warranty of this product and result in a hazardous condition.

TROUBLESHOOTING

Fault	Causes	Remedy
Pilot or main burner will not light	(a) Air in gas line	Purge gas line
	(b) Blockage in gas line	Trace back and clear
	(c) Igniter not sparking	Repair lead, electrode, piezo or replace battery
	(d) Cylinder turned off	Turn on
	(e) Cylinder empty	Install full cylinder
Main burner will not light fully	(a) Poor gas supply	Trace supply back to source, clear where necessary
	(b) Gas control inoperative	Inspect valve, rectify
	(c) Insufficient gas	Install full cylinder/rectify gas supply
Flame is yellow	(a) Check injector	Clean if necessary
	(b) Check gas pressure	Adjust as required
	(c) Check venturi for dust	Clean if necessary
	(d) Check burner ports for blockage	Clean if necessary

If you can not solve trouble according to one of the mentioned solution, please call the (03) 9562 3455 or contact your dealer or Distributor Responsible.

Parts Diagram



Parts List

No.	DESCRIPTION	PART NO.	QTY.
1	Protective Guard	P03351045D	1
2	Name Plate	P00408001A	1
3	Thermocouple with wire	P05308007B	1
4	Electrode with wire	P02618082A	1
5	Burner Assembly	P02005035D	4
6	Burner Bracket, Side	P033510324	2
7	Burner Holder	P020110804	3
8	Manifold assembly - NG	Y0060898	1
	Orifice (NG)	P06536043A	4
9	Burner Assembly Frame	P03351029D	1
10	Bowl Bracket, Left	P033510464	1
11	Bowl Bracket, Right	P033510474	1
12	Burner Bracket, Upper	P033510484	1
13	Burner Bracket, Lower	P033510494	1
14	Head Bowl	P03351050D	1
15	Heat Deflector	P03351034D	1
16	Head Assembly Bracket	P03351051D	1
17	Protective Ring	P05556002I	1
18	Electric Ignitor	P02505032F	1
19	Gas valve Assembly	Y0060887	1
	Gas valve	P03253002F	1
20	Spring	P05504116E	1

No.	DESCRIPTION	PART NO.	QTY.
20	Micro Switch (ON)	P05382007D	1
21	Micro Switch (OFF)	P05382008D	1
22	Finger Protective Ring	P055560033	2
23	Connecting Hose	P03720006F	1
24	Hose Bracket	P03328091D	1
25	Electrode wire set	P02616080L	2
26	Connector with Nut	P03907013A	1
28	Thermocouple Valve Cover	P069090104	1
26	Thermocouple wire	P02616079L	1
27	Electrode wire	P02616080L	2
28	Tilt switch wire	P02616081L	1
A1	Wall Mounting Bracket	P03351040D	1
A2	Red string	P03351036A	1
A3	Black string	P03351035A	1

WARRANTY TERMS

Thermofilm warrants to the original owner that HEATSTRIP products will be free from defects in materials and workmanship for a period of 24 months from the date of purchase in accordance with the following warranty terms and conditions.

Provision of this warranty is subject to:

- The HEATSTRIP products must be installed in accordance with the Installation Instructions and relevant gas and electrical standards and codes.
- The HEATSTRIP products must be maintained and cleaned according to instructions detailed in the Installation Manual.
- There is no warranty expressed or implied with regard to capacity requirements. The selection of the unit or units depends entirely upon the system design and capacities as determined by the purchaser.
- The customer has not repaired, opened or altered the product in any unauthorized manner.
- This warranty excludes damage to the product or components arising from circumstances outside the control of Thermofilm, including, but not limited to, where the product is not used for intended purpose; where the product has been rectified in any way; incorrect installation; incorrect power supply; damaged caused during delivery; misapplication, misuse, abuse, vandalism, lack of maintenance or accident.
- The original invoice, including serial number are required for any claim made pursuant to the terms of warranty.
- Thermofilm is not liable for, and will not authorize repairs resulting from product not performing correctly as a result of being used in an environment where the ambient temperature and humidity are outside the operating conditions specified for these items.
- Transportation charges involved in return of the product to the Thermofilm factory (or any other location authorized in writing by Thermofilm) is the sole responsibility of the customer.
- The following are not covered under this warranty
 1. Breakage of the burner tiles .
 2. Rust and or discoloration due to heat or corrosive environments
 3. Damage or failure due to incorrect installation of gas supply.
 4. Any damage or loss attributable to failure to provide adequate ventilation for the product as specified by the manufacturer.
- Thermofilm does not participate in any site related costs or labor expenses incidental to replacement of parts, repairing, removing, installing, servicing, transportation or handling of parts to complete products, and assumes no liability on parts repaired or replaced without written authorization. Thermofilm shall not be liable for any default or delay in performance of its warranty obligations caused by any circumstances beyond its control, including, but not limited to, judicial or government restrictions, strikes, fires, floods, abnormal weather conditions, delayed supply of components.

Should products be determined as damaged on arrival, immediately notify the transport company of the condition and have them noted on the freight documents. If damage is discovered after unpacking, demand immediate inspection by the transportation company and insist that a record of the damage is made on the freight documentation.

The customer warrants using the product in accordance with:

1. Any instructions provided to it by Thermofilm from time to time.
2. All government and local regulations, including but not limited to all relevant gas electrical, environmental laws and regulations governing the installation, storage, use, handling and maintenance of the goods.
3. All necessary and appropriate precautions and safety measures relating to the installation, storage, use, handling and maintenance of goods.

Our goods come with guarantees that cannot be excluded under the Australian Consumer Law. You are entitled to a replacement or refund for a major failure and for compensation for any other reasonably foreseeable loss or damage. You are also entitled to have the goods repaired or replaced if the goods fail to be of acceptable quality and the failure does not amount to a major failure.

All warranty requests for repairs or replacements must be accompanied by a complete "warranty Claim Form" available from Thermofilm, together with proof of purchase (and where possible, photos of the installation) and the heater returned to the place of purchase.

In the event of a warranty claim, the goods need to be returned to the distributor/retailer for repair replacement.

Contact Thermofilm Australia Pty Ltd
17 Johnston Court, Dandenong South, Victoria 3175, Australia
Telephone: (03) 9562 3455,
Email: info@thermofilm.com.au