

# HEATSTRIP®

Enhance with Remote & App control  
(THG-BA)  
Product Manual



HEATSTRIP® Enhance with Remote & App Control

[www.heatstrip.com.au](http://www.heatstrip.com.au)

Ph: 03 9562 3455 | E: [sales@thermofilm.com.au](mailto:sales@thermofilm.com.au)



October 23

## Innovative, High Performance Electric Heating Technology

### **Features & Benefits**

#### **High Output radiant heat**

HEATSTRIP® *Enhance* electric radiant heaters produce radiant heat that travels through the air directly to people and surfaces below – similar to the heat rays emitted by the Sun. Radiant heating is the only viable option for outdoor or tough indoor sites.

#### **Maximum heat performance – multiple applications**

The high temperature output of the HEATSTRIP® *Enhance* with remote & app control is perfect for exposed outdoor sites, high ceilings and hard-to-heat indoor and outdoor applications.

#### **Suitable for permanent outdoor mounting, no protection needed.**

For outdoor applications, the HEATSTRIP® *Enhance with remote & app control* is suitable for both permanently exposed (eg. courtyards and patios) and undercover installations - does not need to be fully protected from the elements.

#### **Corrosion protection**

Built from corrosion resistant alloy, it is suitable for use in most applications, including difficult corrosive environments such as coastal areas.

#### **Multi-Purpose Mounting Options**

The HEATSTRIP® *Enhance* is supplied with flexible mounting options. The standard bracket will allow both ceiling and wall mounting, at various angles, as well as suspension by chains/wires and metal rods.

#### **DIY**

The THG2200BA is supplied with a lead and plug, and is therefore ideal for DIY installations with brackets included. The THG3200BA must be installed by a licensed electrician.

#### **Element**

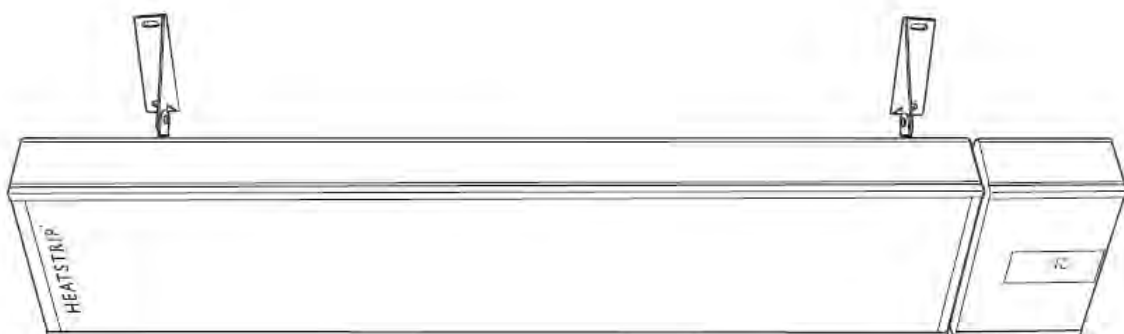
Carbon filament infra-red heating element provides high performance instant heat.

#### **Warranty**

2-year residential and 1-year commercial warranty.

#### **Material & Design**

Anodised alloy casing and end caps with a glass face heater. Available in both a black and off-white colour.



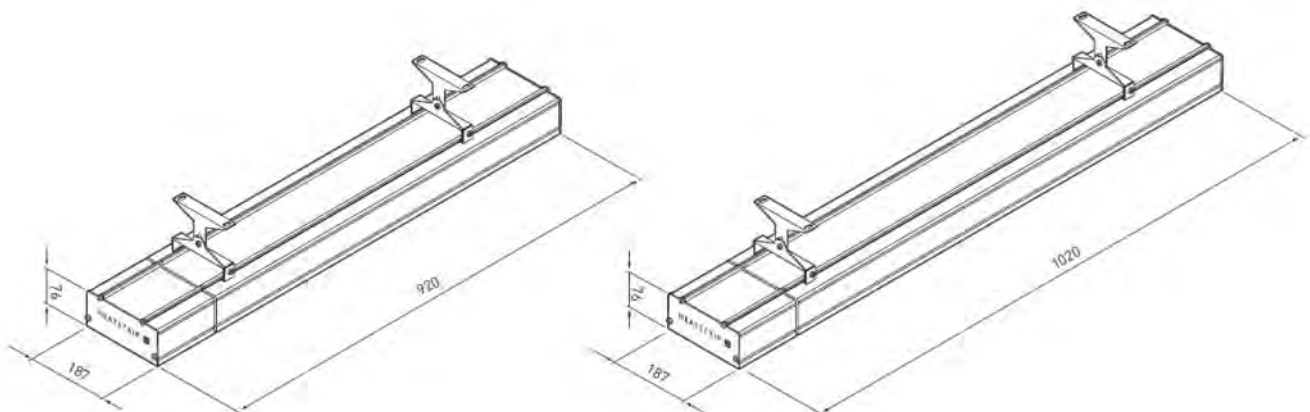
# HEATSTRIP®



## Specifications - Australia

MODEL	POWER (WATTS)	CURRENT (AMPS)	DIMENSIONS (mm)	WEIGHT (Kg)	LEAD LENGTH (mm)	PLUG	COLOUR
THG2400BA	2400	10	920 x 187 x 76	8	1000	YES	Black
THG3200BA	3200	13.3	1000 x 187 x 76	10	1000	NO	Black

MODEL									
HEATER TYPE	High intensity electric radiant, infra-red overheat heater with carbon filament element.								
OUTPUT	2400 watts or 3200 watts								
POWER	230-240 Volts Nominal at 50—60 Hertz, Single Phase								
CONNECTION	3 Core Cable 2.5mm <sup>2</sup>								
APPROVALS	AUSTRALIA / NZ / EU								
MOUNTING HEIGHT	<table border="0"> <tr> <td>MINIMUM</td> <td>2.1 m</td> </tr> <tr> <td>RECOMMENDED</td> <td>2.3 m - 2.5 m</td> </tr> <tr> <td>MAXIMUM</td> <td>2.8m Outdoors and 3m Indoors</td> </tr> <tr> <td></td> <td>(For higher ceiling heights, units can be lowered using optional brackets kits)</td> </tr> </table>	MINIMUM	2.1 m	RECOMMENDED	2.3 m - 2.5 m	MAXIMUM	2.8m Outdoors and 3m Indoors		(For higher ceiling heights, units can be lowered using optional brackets kits)
MINIMUM	2.1 m								
RECOMMENDED	2.3 m - 2.5 m								
MAXIMUM	2.8m Outdoors and 3m Indoors								
	(For higher ceiling heights, units can be lowered using optional brackets kits)								
MOUNTING OPTIONS	Suitable for ceiling, wall, and beam mounting as well as suspension by chains & wires using standard brackets. Optional mounting accessories include extension mount poles and flush ceiling mount kit.								
PROTECTION RATING	IPX5 Protection from water ingress from all directions								
MATERIALS OF CONSTRUCTION	Anodised alloy casing and end caps with school glass facia (THG2400BA & THG3200BA)								



# HEATSTRIP<sup>®</sup>



## Spot heating principle

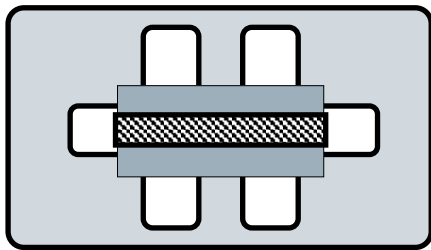
In most outdoor or difficult-to-heat indoor applications, there are 2 methods when looking at the size and quantity of heaters required.

**Option 1** is to comfort heat the entire area based on the total dimensions of the space, regardless of whether the entire area is being fully occupied or not.

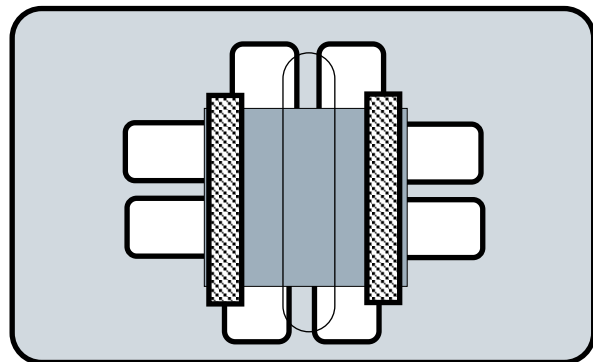
**Option 2** is to spot heat the high use areas, such as over outdoor tables, BBQ's, lounges, assembly lines or indoor workstations.

Often it is more practical and efficient to spot heat these areas. Spot heating will help to reduce the initial capital cost, as well as the on-going running costs. Spot heating will allow the area to be "zoned", meaning heating only the areas that are being used, such as tables in a restaurant or outdoor alfresco area.

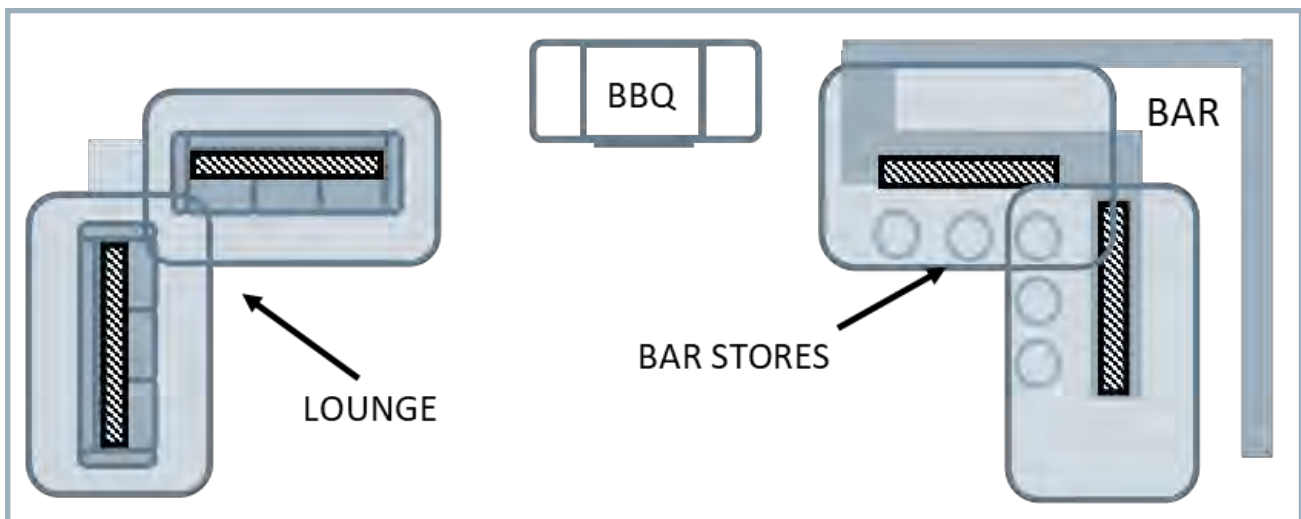
The top diagram shows how HEATSTRIP<sup>®</sup> Enhance with remote & app control is recommended to be used directly over a table, while the bottom diagram indicates how to spot heat a large area.



THG2400BA  
over table



THG3200BA  
Over Table





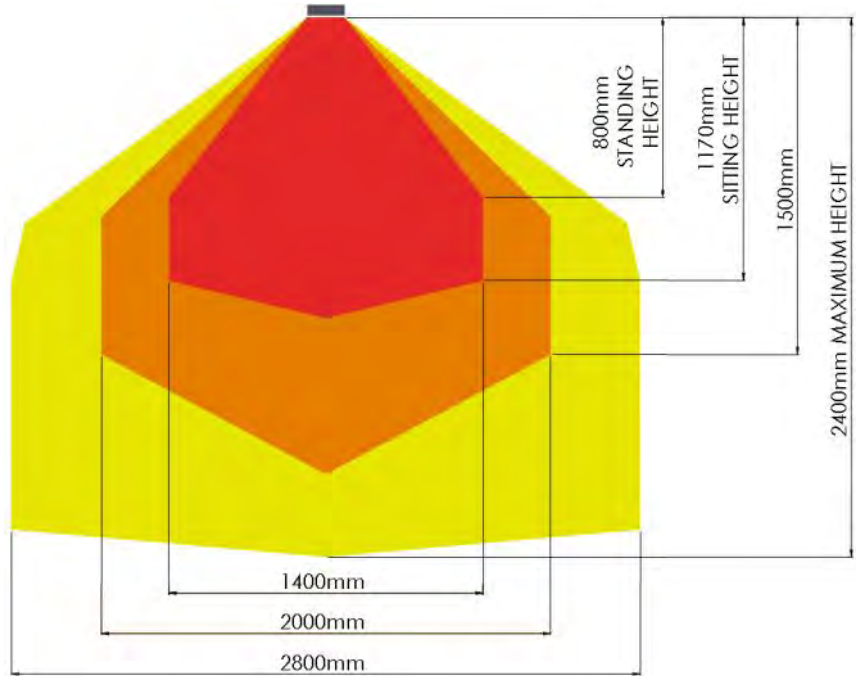
## Radiant footprint

HEATSTRIP® electric heaters produce radiant heat which heats objects rather than the air. Therefore, it is imperative that objects to be heated (ie. people), are within the direct radiant footprint of the heater.

The diagram to the left shows the radiant footprint of HEATSTRIP® Enhance (THG-BA), and is an approximate guide based on a fully enclosed outdoor environment.

This diagram shows that the maximum heat output is found directly under the heater, and the temperature decreases as you move away from the heater.

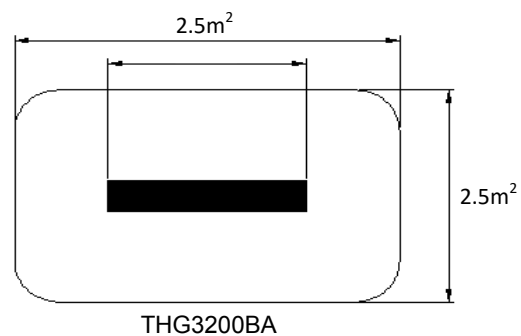
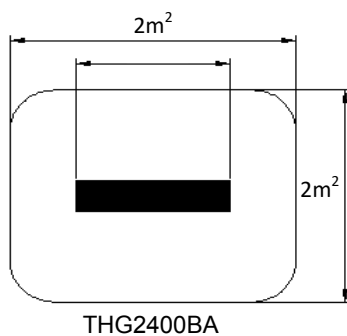
It highlights the importance of maintaining recommended mounting heights, and if possible, positioning the heater directly above the area to be heated.



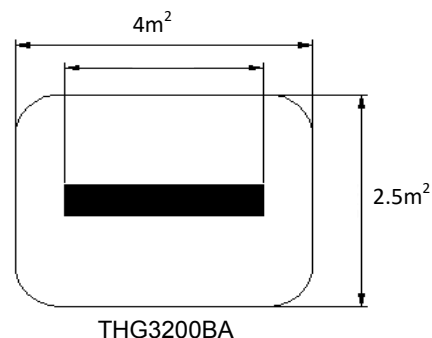
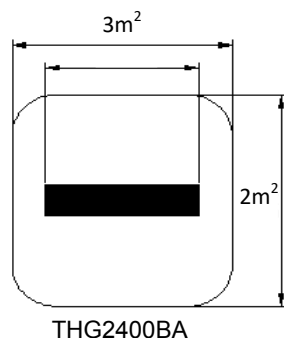
Note that the temperature is the same for all 2 models, regardless of the wattage. However, as the size increases and the length of the unit increases, the radiant footprint will be longer.

The below diagrams show the approximate heating area for each model, based on both an indoor and outdoor enclosed environment, with direct overhead mounting. The radiant footprint is reduced in angled, wall mounted installations.

### Outdoor Exposed



### Outdoor Enclosed





## Selection guide

General recommendations for **HEATSTRIP® Enhance THG-BA**:

- Ideal mounting height: 2.3m to 2.5m, and the maximum is 2.8m. Minimum is 2.1m.
- Ideal mounting location: ceiling mounted, directly above area to be heated (e.g. above a table)

The below table outlines the coverage HEATSTRIP® *Enhance (THG-BA)* model (in m<sup>2</sup>), based on 3 different scenarios.

For example, in an outdoor area that is protected from prevailing winds by walls, café blinds etc, (e.g. outdoor enclosed)

This data is based on direct overhead ceiling mounting. If the heaters are wall mounted, the radiant footprint will be reduced. Above data is based on direct overhead ceiling mounting. If the heaters are wall mounted, the radiant footprint may be reduced.

The below diagrams show the approximate heating area for each model, based on both an indoor protected, outdoor enclosed and outdoor exposed location.

MODEL	INDOOR PROTECTED (m <sup>2</sup> )	OUTDOOR ENCLOSED (m <sup>2</sup> )	OUTDOOR EXPOSED (m <sup>2</sup> )
THB2200BA	9	6	4
THB3200BA	14	9	6





## Table Layout

General recommendations for **HEATSTRIP<sup>®</sup> Enhance (THG-BA)**:

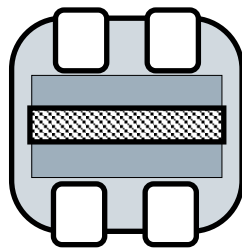
- Ideal mounting height: 2.3m to 2.5m, and the maximum is 2.8m. Minimum is 2.1m.
- Ideal mounting location: ceiling mounted, directly above area to be heated (e.g. above a table)

For the majority of outdoor applications, the most effective method is to spot heat a table or similar area. The diagrams below provides an easy selection guide for the approximate model and quantity of heaters required to heat common residential table settings

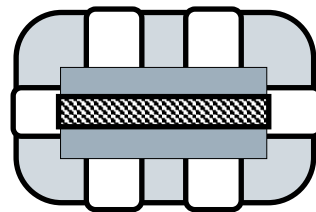
Selection are based on HEATSTRIP *Enhance (THG-BA)* being mounted at 2.4m from the floor in a fully enclosed undercover outdoor area.

Above data is based on direct overhead ceiling mounting. If the heaters are wall mounted, the radiant footprint may be reduced.

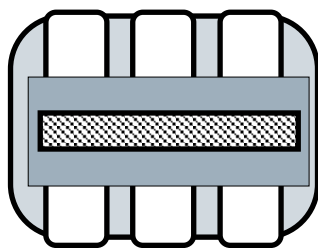
The below diagrams show the approximate heating area for each model, based on both an indoor protected, outdoor enclosed and outdoor exposed location.



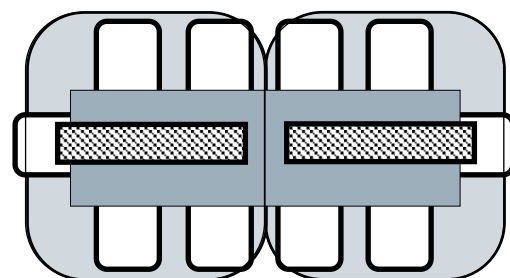
THG2400BA



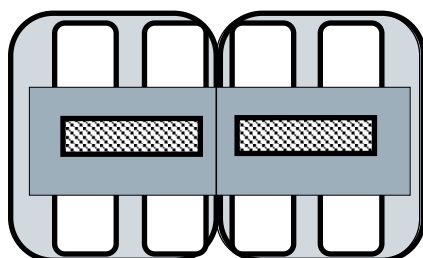
2x THG3200BA



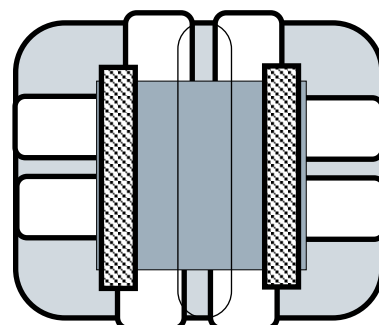
THG3200BA



2x THG2400BA



2x THG2400BA



2x THG3200BA

# HEATSTRIP<sup>®</sup>



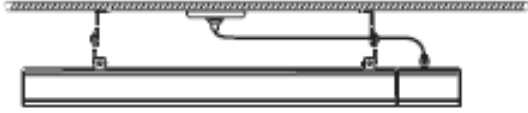


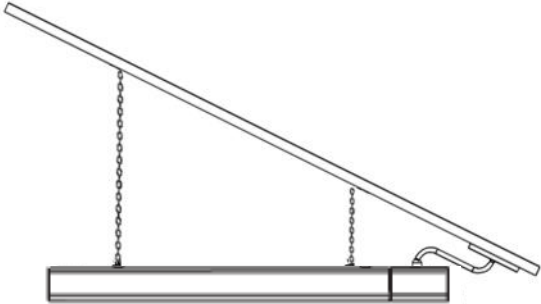
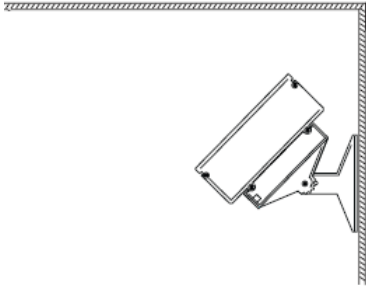
## Installation Requirements

The ideal mounting position for the HEATSTRIP<sup>®</sup> *Enhance* with remote & app control is on the ceiling, directly above the area to be heated. If this is not possible, HEATSTRIP<sup>®</sup> *Enhance* (THG-BA) can be mounted on a wall and angled downwards. In this situation, ensure the mounting height is in the range of 2.1m to 2.5m.

For mounting heights more than 2.8m outdoors, we recommend the use of the optional accessories to reduce the height of the heater to 2.3m—2.5m. This will increase the effectiveness of your HEATSTRIP<sup>®</sup>. Refer to the Mounting Accessory section for more information.

Electrical connections/GPO's should not be located at the back of the heater. They should be located outside the physical footprint of the units to minimize heat build-up behind the units.

**The HEATSTRIP<sup>®</sup> *Enhance* is not suitable for mounting on an incline, along the length.**

Incorrect Installation	Correct Installation
 ✘	 ✔
 ✘	 ✔
 ✘ <p>The heating surface must <u>never</u> be directed toward the ceiling</p>	

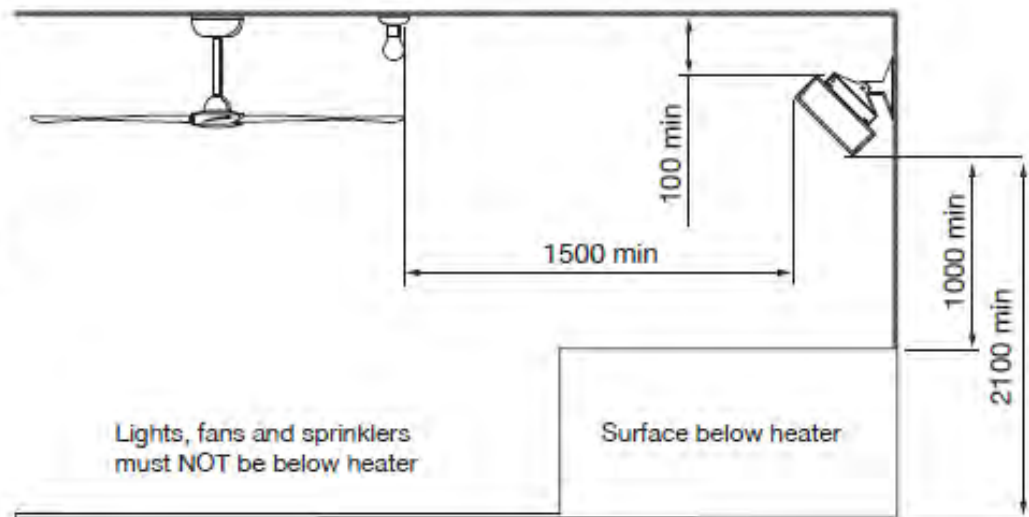


# HEATSTRIP<sup>®</sup>

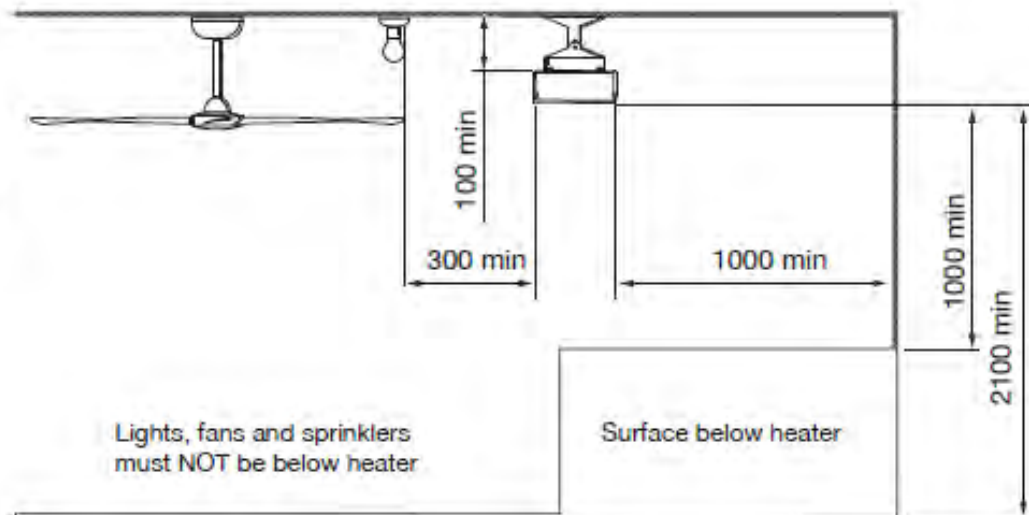


**Installation location** — the below diagrams confirm the minimum recommended clearances.

## Angled Wall Installation



## Ceiling Installation



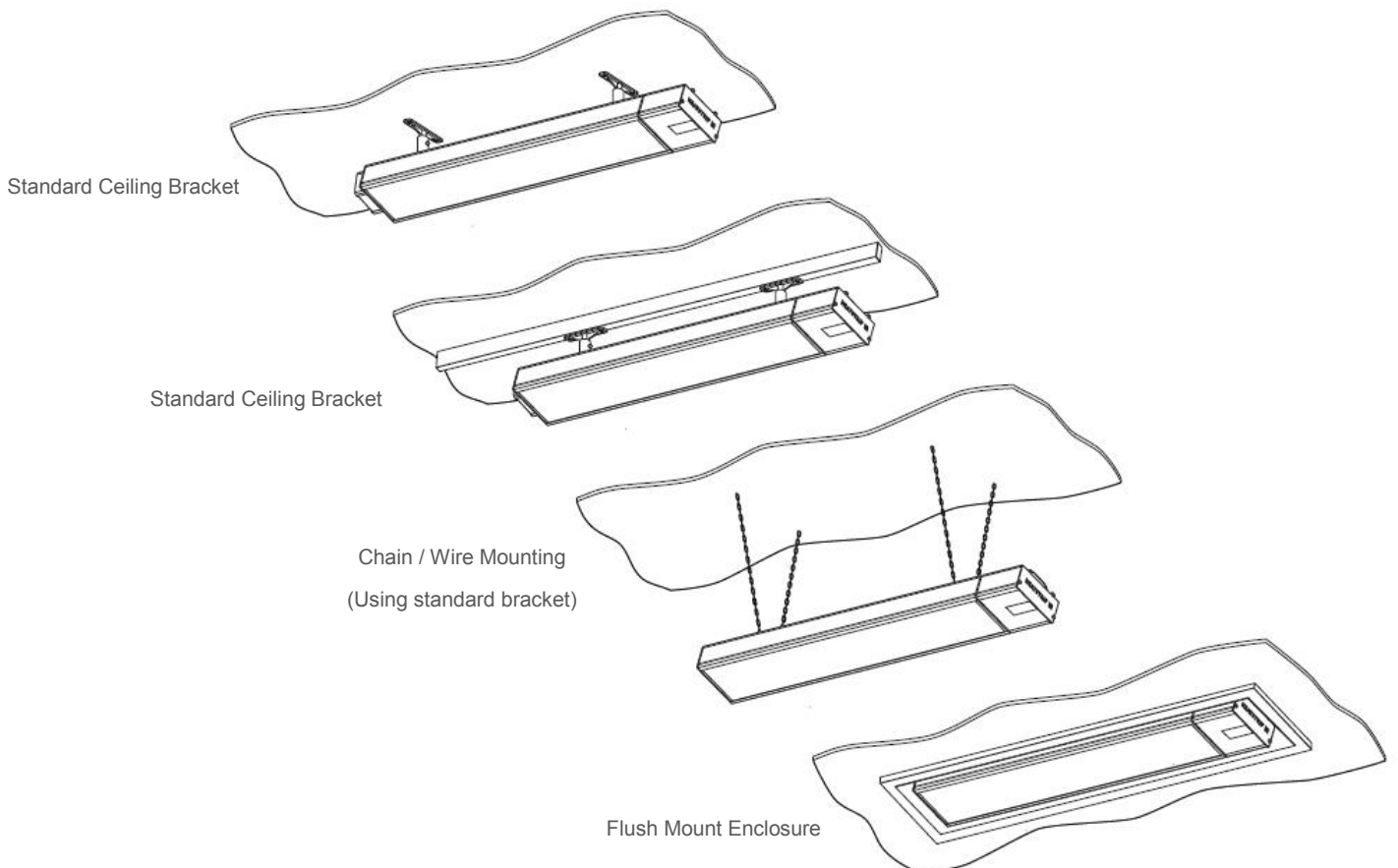
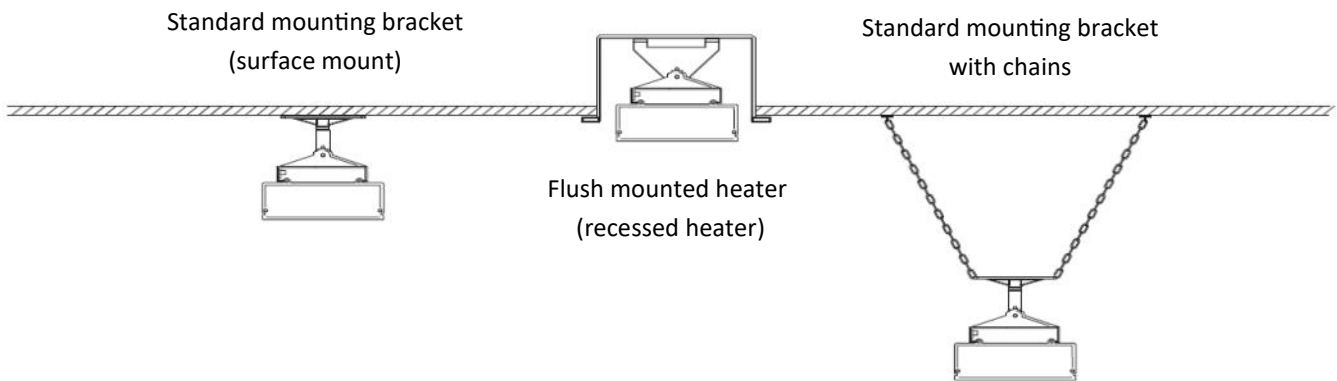


## Mounting options

The installation of HEATSTRIP<sup>®</sup> *Enhance with remote and app (THG-BA)* is simple and easy with the standard mounting brackets supplied. For other more challenging locations there are a range of mounting options available - refer to below diagrams.

The HEATSTRIP<sup>®</sup> *Enhance with remote & app control* can be mounted directly to the ceiling, flush mounted into the ceiling, angled downwards on a wall, suspended on chains, poles or attached to beams and rafters. Refer to the following pages for more detailed information on each mounting option.

### CEILING Installation options with standard bracket (\*Chain not included)





## Standard mounting brackets

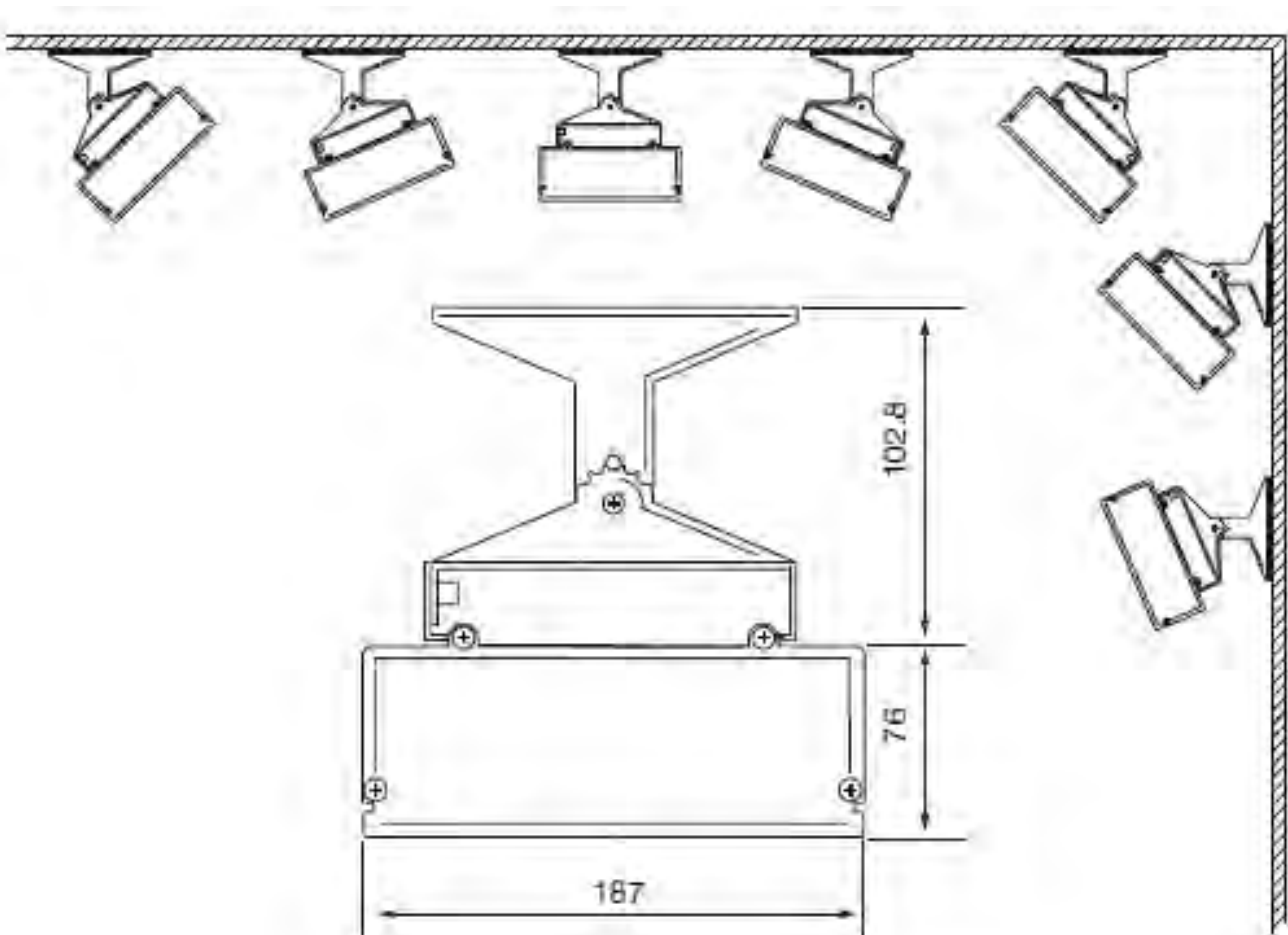
The HEATSTRIP<sup>®</sup> *Enhance with remote and app control* comes with a pair of standard mounting brackets. These adjustable brackets allow direct ceiling or wall mount, and come with pre-set angle options of parallel, 22.5° and 45°.

The flexible standard mounting bracket can be turned 90 degrees to mount onto a beam, it can also be used to suspend with chains.

The brackets need to be mounted onto a secure frame or wall with a minimum distance between the two brackets. The minimum distance ("B") for each model is listed on the next page. All dimensions shown below are in (mm).

When completing the installation, ensure all screws are tight and unit is secure.

**Note:** When suspension mounting, chains are not included.



PART No	PACKAGED	WEIGHT (kg)	MATERIALS	COLOUR
ZBRAK-156	125 x 150 x 40	0.2	ANODISED ALLOY	BLACK



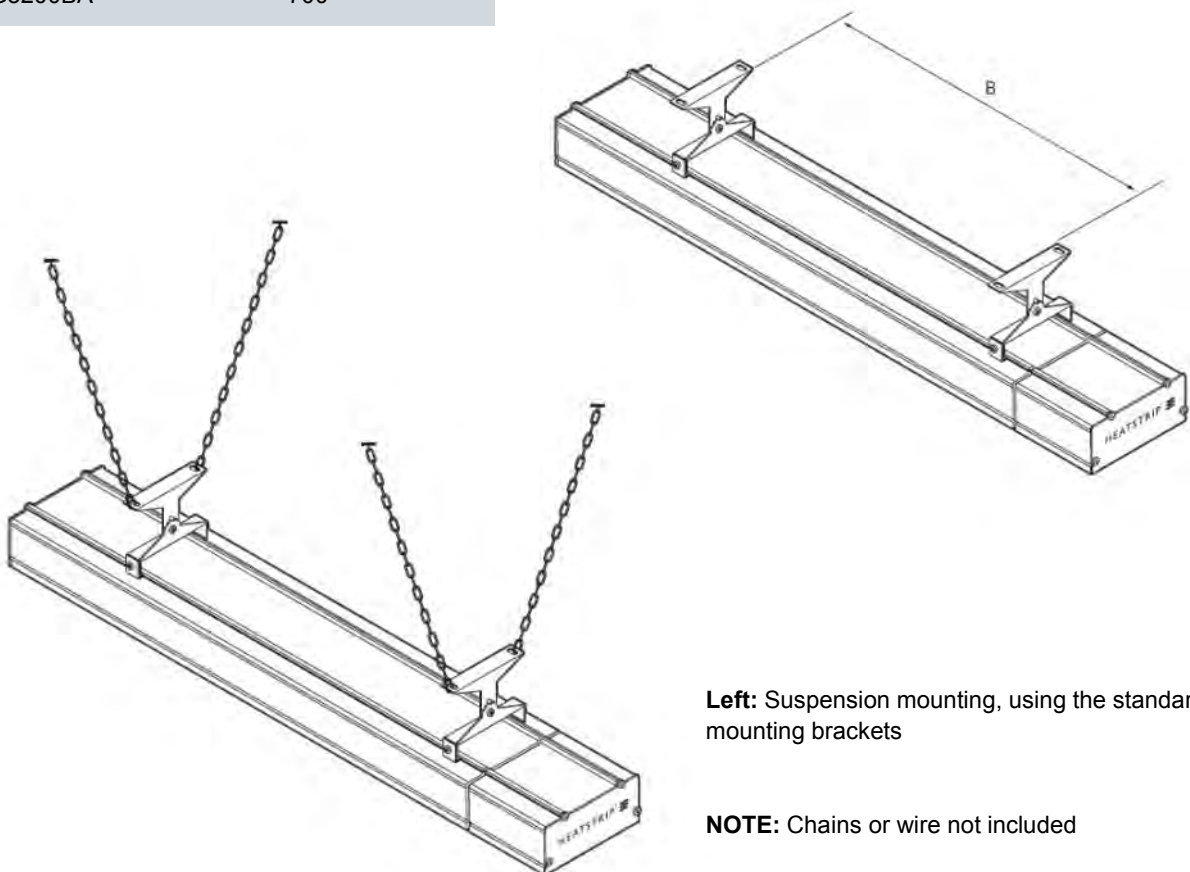
## MOUNTING

Fix the two mounting brackets to the ceiling or wall in the desired location (refer minimum bracket centre chart). Make sure the method of fixing (bolts or screws) will be more than strong enough to support the weight of the heater, allowing for strong winds and other conditions.

- Slide the 2 locking brackets into the groove on the back of the heater. Make sure the pins on the locking bracket are facing the matching holes in the top mounting bracket.
- Lift heater into position and secure the 2 locking brackets to the mounting brackets using the screws provided. Make sure the 2 pins on the locking bracket engage with the matching holes in the mounting bracket. The pins will allow for both horizontal or angle mounting as required
- Tighten all screws and tighten the round nut at the top of the bracket, so it locks onto the top part of the mounting bracket.

NOTE: The standard bracket allows for normal or angle mounting of the heater and is suitable for ceiling or wall mounting.

MODEL	"B"
THG2400BA	350
THG3200BA	700



**Left:** Suspension mounting, using the standard mounting brackets

**NOTE:** Chains or wire not included

# HEATSTRIP®

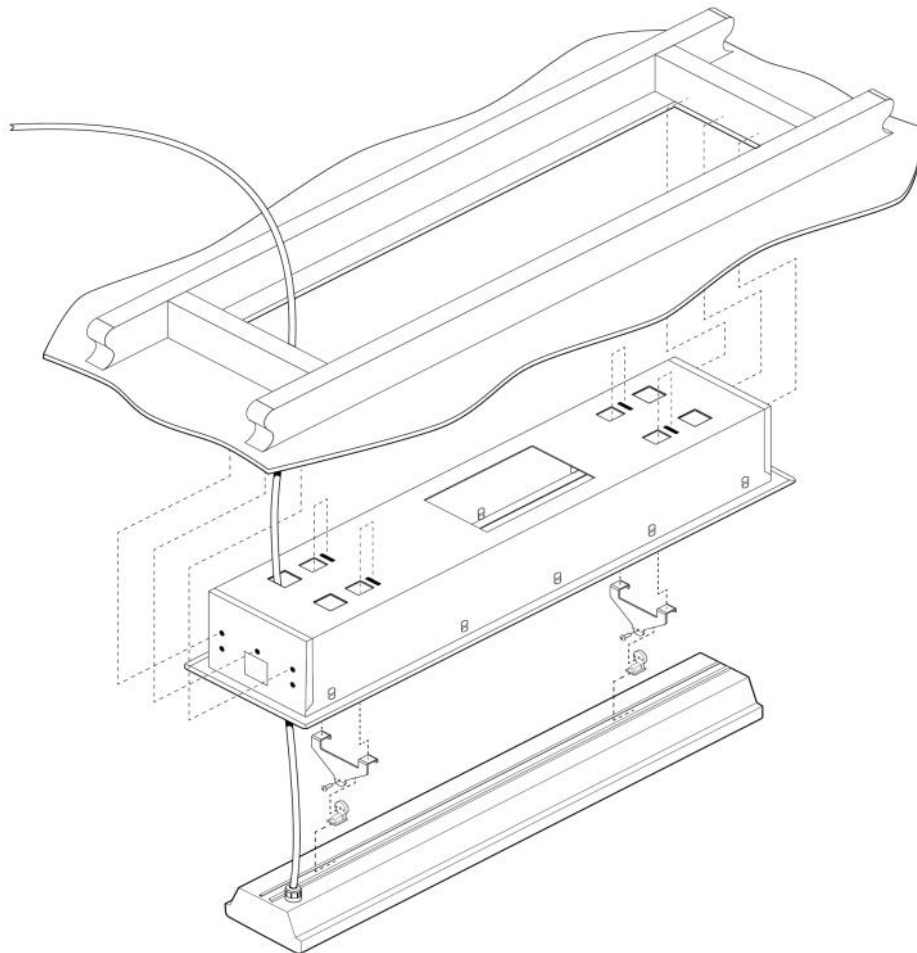


## Flush Mount Enclosure

The Flush Mount Enclosure is an ideal way to neatly install the HEATSTRIP® Enhance with Remote & App heater into a ceiling. They are available for both HEATSTRIP® Enhance heater sizes and are supplied as a one-piece unit for mounting of heaters. Flush mounting can be used with plaster or wood lined ceiling materials.

An ideal mounting height is 2.4m - 2.7m, with a maximum ceiling height of 3m in an outdoor environment. Maximum mounting heights should be strictly followed, otherwise the performance of the units may be reduced.

The fascia of the enclosure is manufactured from 316 Stainless Steel and powder coated black and the rear casing is black zinc coated steel.



SUITABLE FOR MODELS	PART No	HOLE CUTOUT DIMENSIONS (mm)	OVERALL DIMENSIONS (mm)	WEIGHT (kg)
THG2400BA	THGAC-001	1015(L) x 205(W)mm	1070(L) x 258(W) x 201(D)mm	4kgs
THG3200BA	THGAC-002	1152(L) x 205(W)mm	1208(L) x 258(W) x 201(D)mm	5kgs

# HEATSTRIP<sup>®</sup>



## Remote Control Operation

When the heater is plugged in or hardwired, press “power” on the remote, the power indicator light on the unit will light up and indicate the L1, L2, L3 using the + or - to change the heat settings, To set the timer click the time button.

### Remote functions:

The heater temperature control L1 is the lowest heat setting and L3 is the highest heat setting.

The timer function has 0-24 hour timer. This feature is ideal for applications such as alfresco areas, restaurant dining, assembly line production etc. when continuous heat is not required. The timer also reduces the likelihood of heaters being inadvertently left turned on.

### Remote pairing

All units operate using the same remote control frequency, therefore, multiple heaters can be operated using a single remote control. The remote will function at distance of over 8m when used in a straight line. This distance reduces when used at an angle.

### Signal Transmitter

- To use the remote controller, aim the transmitter to the heater. A line of sight transmission is required for the unit to function.
- The controller does not have a protection rating. The controller must be kept away from wet applications.
- The remote will function at distances of over 8m when used in a straight line. This distance reduces when used at an angle.

### On/Off Button

- Press this button once to turn on/off operation



### Timer

- Timer function 0-24 hour timer, press through to set timer.

### Temperature Control Button

- Temperature is adjustable from L1-L2-L3
- The temperature ranges from high to low.

### Battery

- 2 x AAA Batteries required for operation.

Remote battery	2x AAA batteries
Remote range	2m—8m
Wall socket supply	220V — 240V, 50Hz
Max load	10A (2400W) 15.5A (3600)
Standby consumption	<1W
Remote frequency	38kHz IR

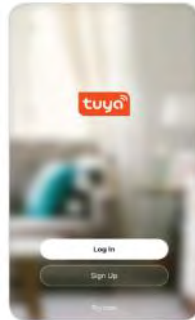
# HEATSTRIP<sup>®</sup>



## THG-BA Setup Instructions

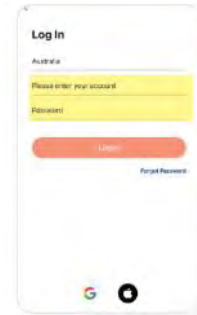
1

Visit the Apple App store or Google Play and download TuyaSmart App



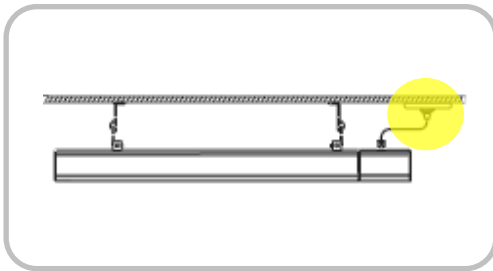
2

Register and login into TuyaSmart App. (Make sure Wi-Fi is enabled)



3

Connect the HEATSTRIP Heater to Power. (Either Plug-In or Hardwired)



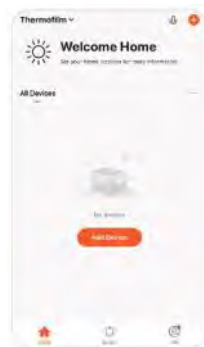
4

Once the power is switched on, hold the + button on the remote until the LED screen is blinking CC.



5

Open the App and select "Add Device"



6

Select Device Type "Small Appliances".



7

Select "Heater"



8

Select "Next" (Wi-Fi must be connected).



# HEATSTRIP<sup>®</sup>



## THG-BA Setup Instructions

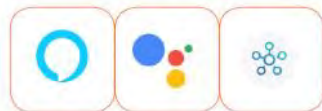
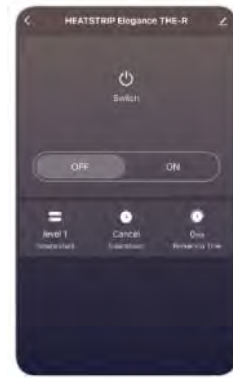
9

Confirm the 3 indicator is blinking rapidly on the heater and select “Next” (If the LED lights are not blinking on the heater, you will need to hold down the 2H button on the remote until the 3 indicators are blinking).



10

Once the pairing cycle has been completed, the App and HEATSTRIP Heater should be paired together.



## Pairing with Google Assistant

1. Download the Google Home app on the app store or Google play
2. Pair the Google device to the Google Home App
3. Once paired, click on the TuyaSmart App
4. Select “Me”
5. Select “Google Assistant”
6. Select “Link with Google Assistant”
7. Select “Agree and link”
8. Choose device “Select HEATSTRIP Enhance with Remote & App”
9. Pairing completed



# HEATSTRIP<sup>®</sup>



## Safety

HEATSTRIP<sup>®</sup> Enhance (THG-BA) has an IP rating of X5. This means it is safe for water ingress from all directions. The HEATSTRIP<sup>®</sup> can be safely hosed down.

HEATSTRIP<sup>®</sup> has undergone extensive testing both in laboratory conditions; in Thermofilm's manufacturing facility in Melbourne and field trials in Australia and overseas. It has been this testing that gives the purchaser the confidence of a high quality product.

Independent laboratory testing has confirmed Thermofilm's full compliance with Australian and other International Standards. This includes CE, AS/ANZ, UL/CSE

The heater comes in both plug (2400W) and hardwired (3200W) versions. In both cases the fixed wiring must be installed by a licensed electrician in accordance with the relevant wiring regulations.

HEATSTRIP<sup>®</sup> is Class 1 equipment and must be earthed.

In operation, this heater is VERY HOT— do not touch any part of the heater while it is turned on. Do not touch any part until 30 minutes after it is turned off.

This appliance is not intended for use by persons (including children) with reduced physical, sensory or intellectual capabilities, or lack of experience and knowledge, unless they have been given supervision or instruction concerning use of the appliance by a person responsible for their safety. Children should be supervised to ensure they do not play with the appliance.

Do not allow any cables, furnishings, flammable materials or other items come in contact with any surface of the heater.

If installed in wet areas, the heater switches or controls must be located so that they cannot be touched by persons in the bath or shower.

The heater needs to be installed as per the installation instructions paying special attention to the minimum clearances. The heater needs to be mounted on a rigid bracket or fixing.

The heater must not be mounted immediately below or in front of a socket outlet.

In case of a heater fault or damaged supply lead, the appliance should be returned to the point of purchase for return to Thermofilm for repair.

## Maintenance

The HEATSTRIP<sup>®</sup> is made from durable materials, however regular care and maintenance of your heater will help prolong the life of the heater.

It is recommended that you hose down the heater and with a soft cloth gently wipe the surfaces of the heater with a mild detergent to remove the built up contaminants from the environment. Then rinse all detergent off the heater.

All chemicals in the atmosphere including cigarette smoke, pollution etc. will tarnish the surface of the heater. In this case, additional cleaning and maintenance may be required. The cleaning process at least every three months will reduce the amount of build up and keep it looking as best it can. If the heater is in a corrosive environment eg. salt spray, we recommend that you clean your heater with a light spray of fresh water every week. After cleaning, turn the heater on for 20 minutes to dry any water residue and prevent water staining.

Before cleaning or inspection activity, the heater must be switched off and cooled down completely.

Do not use any abrasive materials or products to clean the heater, this includes solvents, citrus based cleaners or other harsh cleaning products.

When handling the heater, ensure that your hands are clean or that you use clean gloves as grease or dirt can mark the surface of the heater.

Do not use high pressure water to clean heaters, light water spray only.

# HEATSTRIP<sup>®</sup>



## Warranty Terms & Conditions

The below Warranty Terms and Conditions apply for **New Zealand and Australia only**. For international warranty please refer to international warranty terms and conditions.

Thermofilm warrants to the original owner that HEATSTRIP<sup>®</sup> Enhance with Remote and App control products will be free from defects in materials and workmanship for a period of 24 months for residential applications and 12 months for commercial applications, from the date of purchase in accordance with the following warranty terms and conditions.

Provision of this warranty is subject to:

- The HEATSTRIP<sup>®</sup> product must be installed in accordance with the Installation Instructions and relevant electrical standards and codes.
- The HEATSTRIP<sup>®</sup> product must be maintained and cleaned according to instructions detailed in the Installation Manual.
- There is no warranty expressed or implied with regard to capacity requirements. The selection of the unit or units depends entirely upon the system design and capacities as determined by the purchaser.
- The customer has not repaired, opened or altered the product in any unauthorised manner.
- This warranty excludes damage to the product or components arising from circumstances outside the control of Thermofilm, including, but not limited to, where the product is not used for intended purpose; where the product has been rectified in any way; incorrect installation; incorrect power supply; damaged caused during delivery; misapplication, misuse, abuse, vandalism, lack of maintenance or accident.
- Thermofilm's obligations under this warranty are limited to repair or replacement at Thermofilm's factory of any components of the product which Thermofilm identifies to its satisfaction to be defective.
- Transportation charges involved in return of the product to the Thermofilm factory (or any other location authorised in writing by Thermofilm) is the sole responsibility of the customer.
- All products are inspected and tested before despatch and are at the risk of the purchaser after the shipment from the Thermofilm factory, if not delivered by Thermofilm to destination.
- Discolouration of the surface may occur after a period of time, this does not constitute a warrantable event.
- Twisting and bending of the heaters may occur, this does not constitute a warrantable event.
- No products or components will be supplied in advance of an examination of the faulty product or components by Thermofilm or an authorized representative of Thermofilm.
- Thermofilm does not participate in any site related costs or labour expenses incidental to replacement of parts, repairing, removing, installing, servicing, transportation or handling of parts to complete products, and assumes no liability on parts repaired or replaced without written authorisation. Thermofilm shall not be liable for any default or delay in performance of its warranty obligations caused by any circumstances beyond its control, including, but not limited to, judicial or government restrictions, strikes, fires, floods, abnormal weather conditions, delayed supply of components.

Should products be determined as damaged on arrival, immediately notify the transport company of the condition and have them noted on the freight documents. If damage is discovered after unpacking, demand immediate inspection by the transportation company and insist that a record of the damage is made on the freight documentation.

The customer warrants using the product in accordance with:

- Any instructions provided to it by Thermofilm from time to time.
- All government and local regulations, including but not limited to all relevant electrical, environmental laws and regulations governing the installation, storage, use, handling and maintenance of the goods.
- All necessary and appropriate precautions and safety measures relating to the installation, storage, use, handling and maintenance of goods.

*Our goods come with guarantees that cannot be excluded under the Australian Consumer Law. You are entitled to a replacement or refund for a major failure and for compensation for any other reasonably foreseeable loss or damage.*

*You are also entitled to have the goods repaired or replaced if the goods fail to be of acceptable quality and the failure does not amount to a major failure.*

All warranty requests for repairs or replacements must be accompanied by a complete "Warranty Claim Form" available from Thermofilm, together with proof of purchase (and where possible, photos of the installation) and the heater returned to the place of purchase.

In the event of a warranty claim, the goods need to be returned to the distributor/retailer for repair/replacement. Contact

Thermofilm Australia Pty Ltd

8 Lakeview Dr Scoresby, Victoria 3179, Australia

Telephone: (03) 9562 3455,

Email: [info@thermofilm.com.au](mailto:info@thermofilm.com.au)